

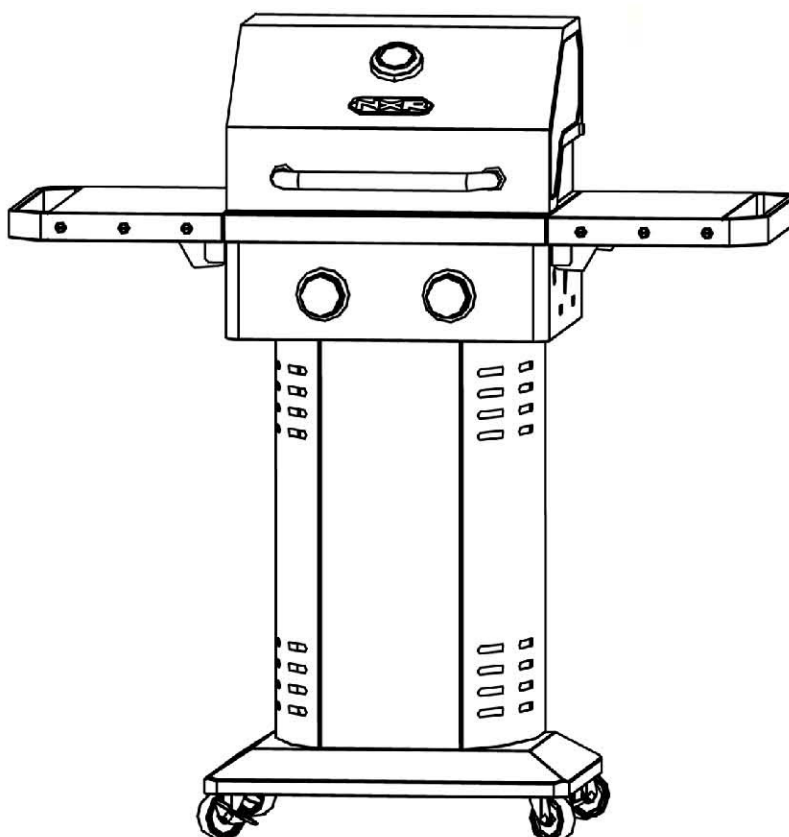


2 Burner T-Grill  
ITM. / ART. 785587  
Model: 780-0009



## Gas Grill Manual for Installation, Care and Maintenance

IMPORTANT, RETAIN FOR FUTURE REFERENCE: READ CAREFULLY



**Warning:** For outdoor use only.

Read the manual carefully and completely before use.

Warning: accessible parts may be very hot. Keep young children away.

Do not move the device during use.

Not intend to be installed in or on boats.

Close the valve of the gas cylinder after use.

The cover shall not be used while the unit is in operation and shall not be installed until the unit has cooled.

Keep this manual for future reference.



Questions, problems, missing parts? Before returning to your retailer, call our customer service department at 1-877-639-7264. 9a.m.-5 p.m., PST, Monday-Friday. English, French, and Spanish representatives are available. Send email to: [nxrcs@duro-global.com](mailto:nxrcs@duro-global.com)

## TABLE OF CONTENTS

---

Safety Information .....	3
Assembly Instructions.....	6
Lighting Instruction.....	11
Exploded View .....	13
Parts Description .....	14
Warranty.....	15



### DANGER

If you smell gas:

1. Shut off gas to the appliance.
2. Extinguish an open flame.
3. Open lid.
4. If odour continues, keep away from the appliance and immediately call your gas supplier or your fire department.



### WARNING

1. Do not store or use gasoline or other flammable liquids or vapours in the vicinity of this or any other appliance.
2. Any LP cylinder not connected for use should not be stored in the vicinity of this or any other appliance.

## Precautions

WHEN USING THE GRILL, DO NOT TOUCH THE GRILL RACK, BURNER GRATE OR IMMEDIATE SURROUNDINGS WHICH BECOME EXTREMELY HOT DURING USE AND CAN CAUSE BURNS.

AVOID ALLOWING EXCESS GREASE TO COLLECT IN THE GREASE TRAY AT THE BOTTOM OF THE GRILL'S FIREBOX. CLEAN THE GREASE TRAY OFTEN.

FOR PROPER BURNER LIGHTING AND PERFORMANCE, KEEP THE BURNER PORTS CLEAN. IT IS NECESSARY TO CLEAN THEM PERIODICALLY FOR OPTIMUM PERFORMANCE. FOR SAFE OPERATION, THE BURNERS MUST BE MOUNTED CORRECTLY. THE BURNERS WILL ONLY OPERATE IN ONE DIRECTION.

CLEAN THE GRILL WITH CAUTION. TO AVOID STEAM BURNS, DO NOT USE A WET SPONGE OR CLOTH WHEN CLEANING THE GRILL. TURN OFF ALL CONTROLS KNOBS AND MAKE SURE THE GRILL IS COOL BEFORE CLEANING. WHEN USING AEROSOL SPRAYS TO CLEAN BURNERS BE VERY CAREFUL. ENSURE THAT THE EQUIPMENT IS COOL BEFORE USING AN AEROSOL SPRAY, AS THE PRESENCE OF HEAT COULD CAUSE IT TO CORRODE OR LIGHT THE EQUIPMENT ON FIRE.

DO NOT USE THE GRILL FOR COOKING EXCESSIVELY FATTY MEATS OR PRODUCTS, WHICH CAN CAUSE FLARE-UPS. DO NOT OPERATE THE GRILL UNDER UNPROTECTED COMBUSTIBLE CONSTRUCTION. USE ONLY IN WELL VENTILATED AREAS. DO NOT USE IN BUILDINGS, GARAGES, SHEDS, BREEZEWAYS OR OTHER SUCH ENCLOSED AREAS. *THIS UNIT IS FOR OUTDOOR USE ONLY.*

### **CAUTION: BEWARE OF FLASHBACK**

CAUTION: SPIDERS AND SMALL INSECTS OCCASIONALLY SPIN WEBS OR MAKE NESTS IN THE GRILL BURNER TUBES DURING TRANSIT AND WAREHOUSING. THESE WEBS CAN LEAD TO GAS FLOW OBSTRUCTION, WHICH COULD RESULT IN A FIRE IN AND AROUND BURNER TUBES. THIS TYPE OF FIRE IS KNOWN AS "FLASHBACK " AND CAN CAUSE SERIOUS DAMAGE TO YOUR GRILL AND CREATE AN UNSAFE OPERATING CONDITION FOR THE USER. ALTHOUGH AN OBSTRUCTED BURNER TUBE IS NOT THE ONLY CAUSE OF "FLASHBACK ", IT IS THE MOST COMMON CAUSE.

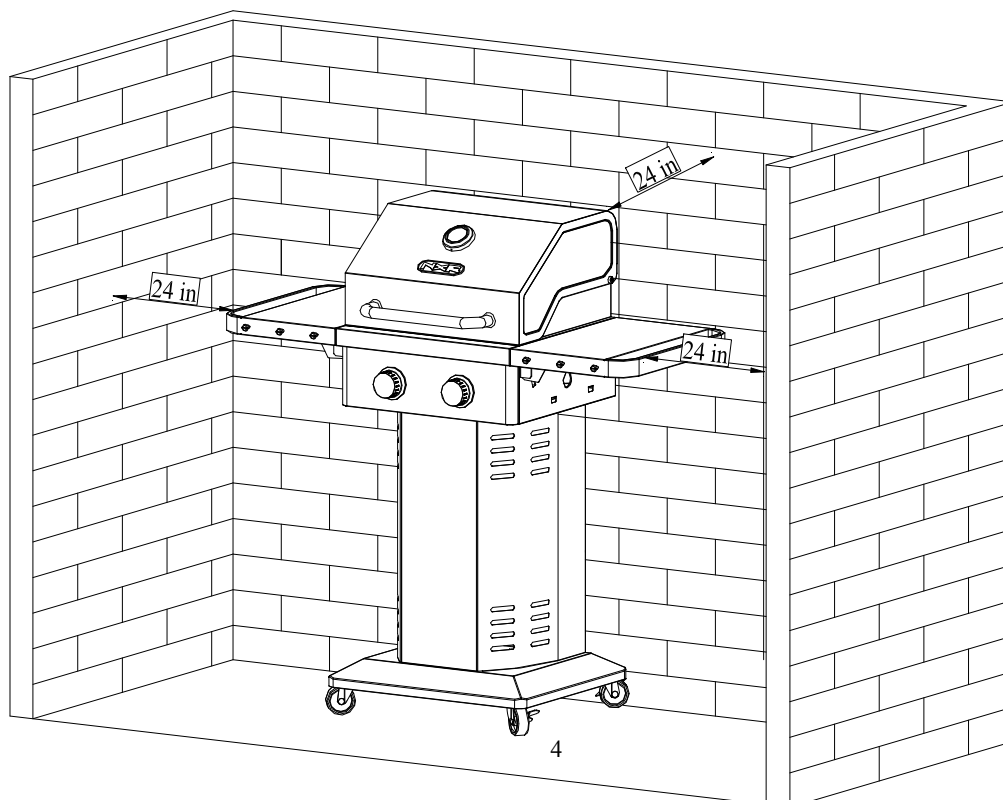
TO REDUCE THE LIKELIHOOD OF "FLASHBACK ", YOU MUST CLEAN THE BURNER TUBES BEFORE ASSEMBLING YOUR GRILL, AND AT LEAST ONCE A MONTH IN LATE SUMMER OR EARLY FALL WHEN SPIDERS ARE MOST ACTIVE. ALSO PERFORM THIS BURNER TUBE CLEANING PROCEDURE IF YOUR GRILL HAS NOT BEEN USED FOR AN EXTENDED PERIOD OF TIME. A CLOGGED TUBE CAN LEAD TO A FIRE BENEATH THE GRILL.

### **SAFETY INFORMATION**

- NEVER OPERATE THIS BBQ WITHOUT A PRESSURE REGULATOR.
- IF THE REGULATOR IS NOT SUPPLIED WITH YOUR BARBECUE - DEPENDING ON WHICH GAS YOU DECIDE TO USE
- TURN TO YOUR LOCAL GAS DEALER FOR A REGULATOR.
- SUPPLY PRESSURES STATED IN TECHNICAL DESCRIPTION AS GUIDANCE (PAGE 5).

## PROPER PLACEMENT AND CLEARANCE OF GRILL

- Never use your gas grill in a garage, porch, shed, breezeway or any other enclosed area. Your gas grill is to be used outdoors only.
- Do not install this unit into combustible enclosures.
- Minimum clearance from sides and back of unit to combustible construction, 61 cm (24 in.) from both sides and 61 cm (24 in.) from the back.
- DO not use this appliance under overhead combustible surfaces. This outdoor cooking gas appliance is not intended to be installed in or on recreational vehicles and/or boats.
- Do not obstruct the flow of ventilation air around the gas grill housing. Only use the regulator and the hose assembly supplied with your gas grill. Replacement regulators and hose assemblies must be those specified in this manual.
- The regulator and hose assembly must be inspected before each use of the grill. If there is excessive abrasion or wear or if the hose is cut, it must be replaced prior to the grill being put into operation. The replacement hose assembly shall be that specified by the manufacturer.
- Pressure regulator and hose assembly supplied with the outdoor cooking gas appliance must be used. Never substitute other types of regulator. Contact customer service for manufacturer specified replacement parts.
- This outdoor cooking gas appliance is equipped with a pressure regulator comply with the standard for Pressure Regulating Valves for LP Gas ANSI/ UL 144.
- Do not use briquettes of any kind in the grill.
- The grill is designed for optimum performance without the use of briquettes. Do not place briquettes on the radiant as this will block off the area for the grill burners to vent. Adding briquettes can damage ignition components and knobs, and void the warranty.
- Keep the back and side cart free and clear from debris. Keep any electrical supply cord or the rotisserie motor cord away from the heated areas of the grill.
- Never use the grill in extremely windy conditions. If located in a consistently windy area (oceanfront, mountaintop, etc.) a windbreak will be required. Always adhere to the specified clearance.
- Never use a dented or rusty propane tank.
- Keep any electrical supply cord and the fuel supply hose away from any heated surface
- While lighting, keep your face and hands as far away from the grill as possible.
- Burner adjustment should only be performed after the burner has cooled.



## TECHNICAL DESCRIPTION

**DURO**  
CORPORATION

17018 Evergreen Place,  
City of Industry, CA 91745

MODEL NO.: 780-0009

TYPE OF GAS: LP

INPUT: 2 burners for 20,000 BTU/h (in total)

Main Burner: 1 burner: 10,000 BTU/h

1 burner: 10,000 BTU/h



Total BTU: 20,000 BTU/h

Made in P.R.C

CERTIFIED UNDER ANS Z21.58b/CSA1.8b-2012  
OUTDOOR COOKING GAS APPLIANCES.

FOR OUTDOOR USE ONLY. IF STORED INDOORS,  
DETACH AND LEAVE CYLINDER OUTDOORS.

Minimum clearance from sides and back of unit to  
combustible construction, 61 cm (24 in.) from sides  
and 61 cm (24 in.) from back.

Do not use this appliance under overhead  
combustible surfaces.

Do not store a spare LP cylinder under or near a  
barbecue grill, or other heat sources. NEVER fill an  
LP cylinder beyond 80% full: a fire causing death or  
serious injury may occur.

For use with a gas appliance pressure regulator.

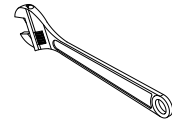
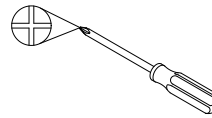
The regulator supplied must be used with this  
appliance.

CAUTION: Use only the gas pressure regulator and  
hose supplied with this appliance. This regulator is set  
to a pressure of 11 iwc.

Turn off supply at cylinder when appliance is not in use.

## PREPARATION

Before beginning assembly, make sure all parts are present. Compare parts with package contents list and diagram above. If any part is missing or damaged, do not attempt to assemble the product. Contact customer service for replacement parts.



- Estimated Assembly Time: 10 minutes

- Tools Required for Assembly:

Phillips Screwdriver

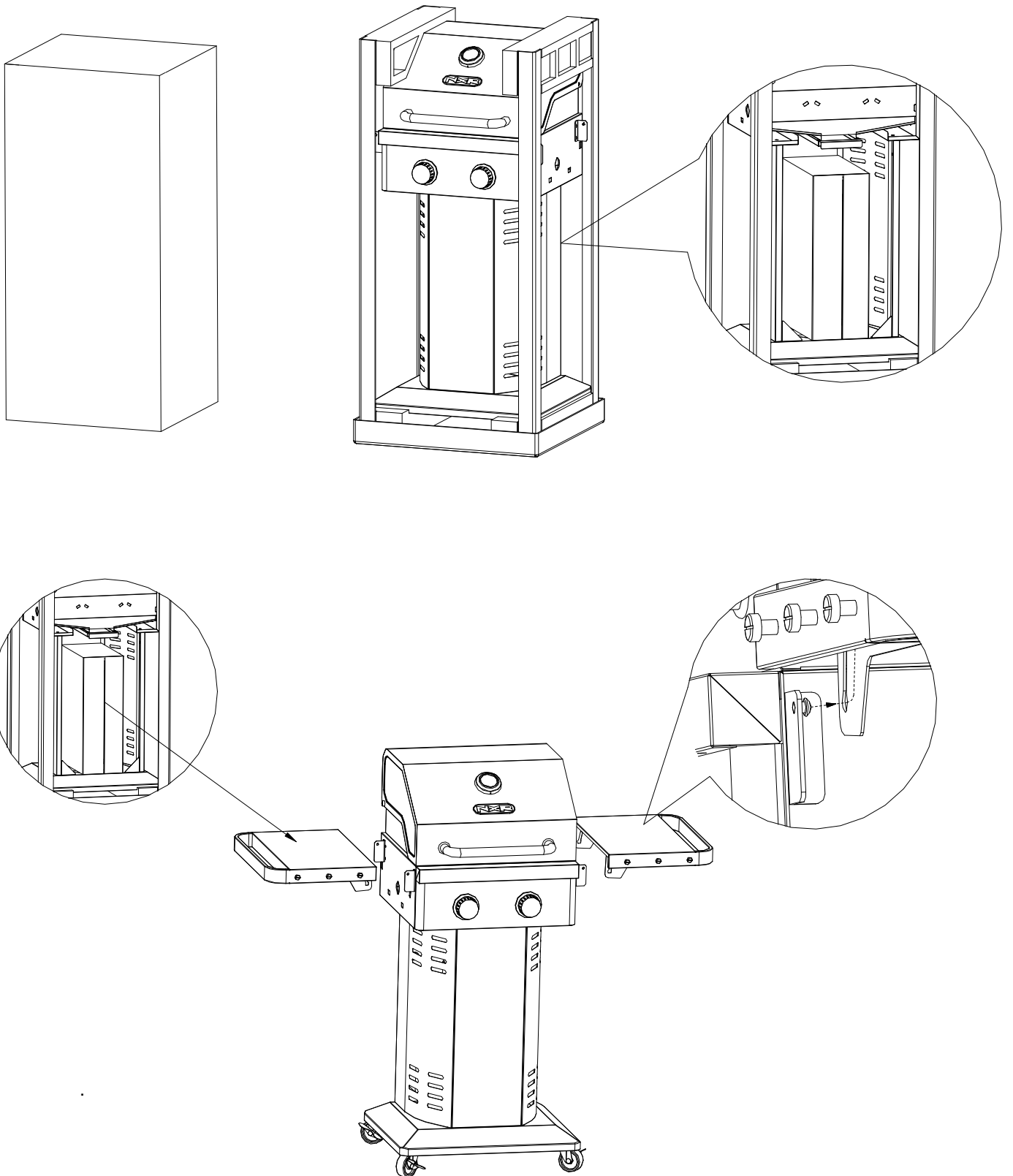
Wrench

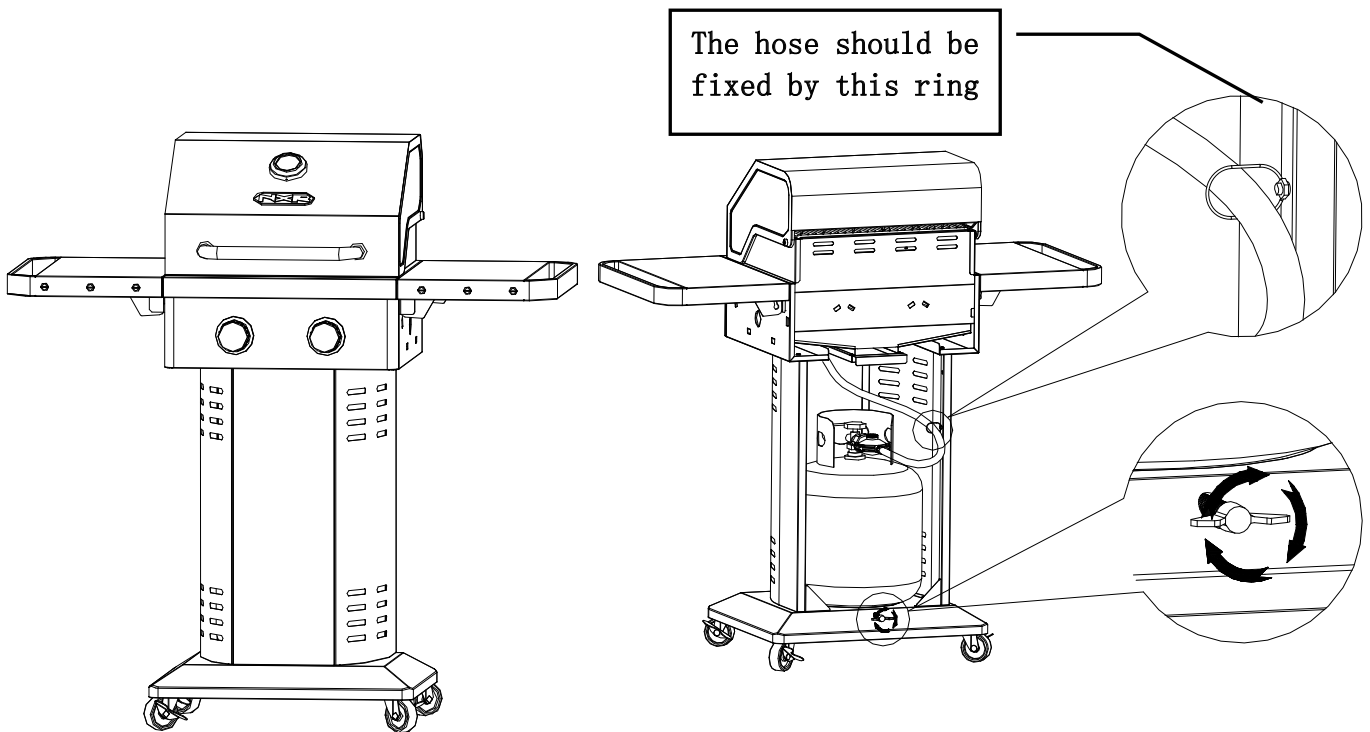
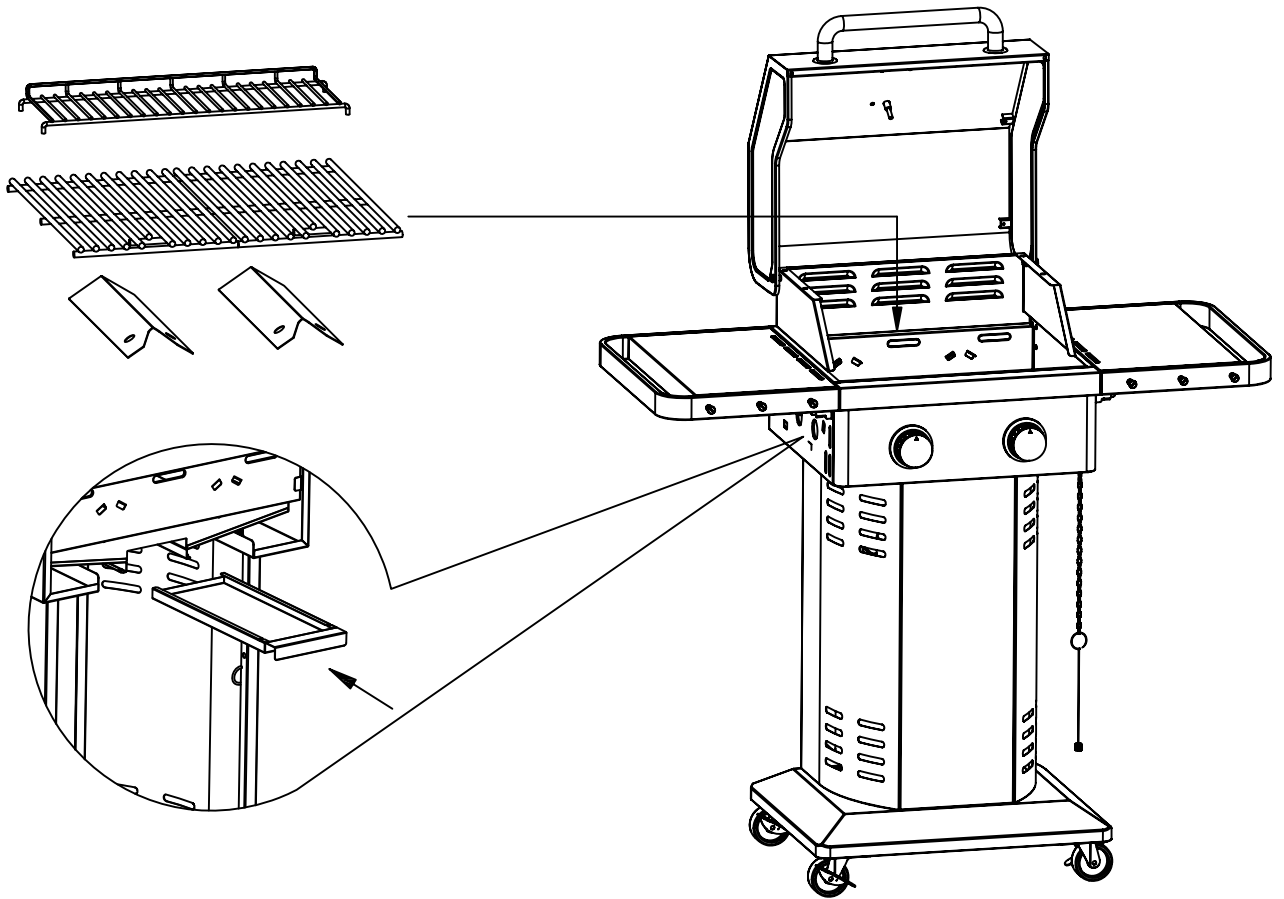
Phillips Screwdriver (not included) and wrench (not included)

- Note: The right and left sides of the grill are designated as if you are facing the front of the grill.

# ASSEMBLY INSTRUCTIONS

---



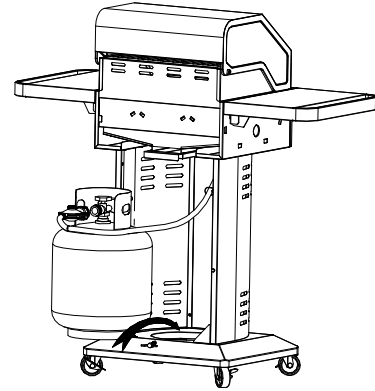
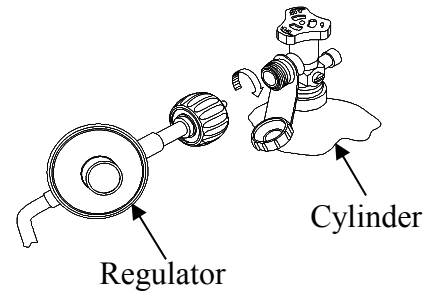


## Tank Installation

If the outdoor cooking gas appliance is not in use, the gas must be turned off at the supply cylinders. Storage of an outdoor cooking gas appliance indoors is permissible only if the cylinder(s) is/are disconnected and removed from the outdoor cooking gas appliance.

Cylinder(s) must be stored outdoors, out of reach of children, and must not be stored in a building, garage or any other enclosed area.

Cylinder(s) used must have a collar to protect the cylinder valve. The specific size and capacity of the cylinder(s) that should only be used is 9 kg (20-lb.) with 46.35 cm (18 1/4 in.) height and 31 cm (12 1/4 in.) diameter.



**Note:** Always keep the cylinder at 90° (upright) orientation to provide vapour withdrawal.

## INSTALLATION INSTRUCTIONS

### GAS HOOK-UP

Only the pressure regulator and hose assembly suitable for the grill should be used. Any replacement pressure regulator and hose assembly must be specified by the grill manufacturer. This grill is configured for propane or LPG. Do not use a natural gas supply.

Main burner	10,000BTU (2.9kw).
Total: 2 main burners	20,000BTU (5.8kw).

## Liquid Propane Gas LEAK TESTING

### GENERAL

Although all gas connections on the grill are leak tested at the factory prior to shipment, a complete gas tightness check must be performed at the installation site due to possible mishandling in shipment, or excessive pressure unknowingly being applied to the unit. Periodically check the whole system for leaks following the procedures listed below. If the smell of gas is detected at any time you should immediately check the entire system for leaks.

### BEFORE TESTING

Make sure that all packing material is removed from the grill including the burner tie-down straps.

**DO NOT SMOKE WHILE LEAK TESTING. NEVER PERFORM LEAK TEST WITH AN OPEN FLAME.**

Make a soap solution of one part liquid detergent and one part water. You will need a spray bottle, brush, or rag to apply the solution to the fittings. For the initial leak test, make sure the L.P. cylinder is full.

### TO TEST

1. Make sure the control valves are in the "OFF" position, and turn on the gas supply.
2. Check all connections from the LP gas regulator and supply valve up to and including the connection to the manifold pipe assembly (the pipe that goes to the burners). Soap bubbles will appear where a leak is present.
3. If a leak is present, immediately turn off the gas supply and tighten the leaky fittings.
4. Turn the gas back on and recheck.
5. Should the gas continue to leak from any of the fittings, turn off the gas supply and contact customer service at 877-639-7264. 9a.m.-5p.m., PST, Monday-Friday. English, French, and Spanish representatives are available. Send email to: [nxrcs@duro-global.com](mailto:nxrcs@duro-global.com)

Only those parts recommended by the manufacturer should be used on the grill. Substitution will void the warranty. Do not use the grill until all connections have been checked and do not leak.

### GAS FLOW CHECK

Each grill burner is tested and adjusted at the factory prior to shipment; however, variations in the local gas supply may make it necessary to adjust the burners. The flames of the burners should be visually checked.

Flames should be blue and stable with no yellow tips, excessive noise or lifting. If any of these conditions exist, check to see if the air shutter or burner ports are blocked by dirt, debris, spider webs, etc. If you have any questions regarding flame stability, please call customer service 877-639-7264. 9a.m.-5p.m., PST, Monday-Friday. English, French, and Spanish representatives are available. Send email to: [nxrcs@duro-global.com](mailto:nxrcs@duro-global.com)

### **ALWAYS CHECK FOR LEAKS AFTER EVERY L.P. TANK CHANGE**

**Check all gas supply fittings for leaks before each use. It is handy to keep a spray bottle of soapy water near the shut-off valve of the gas supply line. Spray all the fittings. Bubbles indicate leaks.**



## STATEMENT

---

1. LP gas supply cylinder(s) to be used must be:

Constructed and marked in accordance with the Specification for LP-Gas Cylinders of the U.S. Department of Transportation(D.O.T.) or the National Standard of Canada, CAN/CSA-B339, Cylinders, Spheres and Tubes for Transportation of Dangerous Goods; and Commission, as applicable.

Provided with a listed overfilling prevention device.

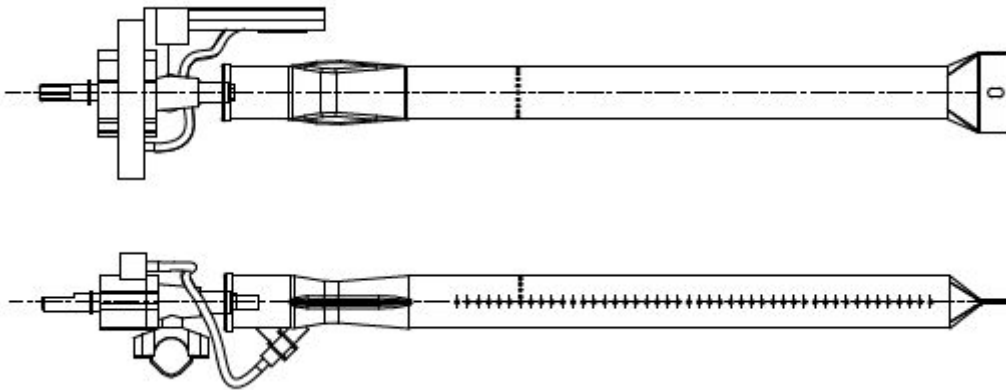
Provided with a cylinder connection device compatible with the connection for outdoor cooking appliances.

2. The installation must conform with local codes or, in the absence of local codes, with either the National Fuel Gas Code, ANSI Z223.1/NFPA 54, Natural Gas and Propane Installation Code, CSA B149.1, or Propane Storage and Handling Code, B149.2, or the standard for Recreational Vehicles.

3. This outdoor cooking gas appliance is not intended to be installed in or on boats.

4. Checking orifices alignment with burners

Orifices may shift during assembly and movement. Check the orifices alignment with the burners according to the following illustrations before lighting.



5. Maintenance instructions (including recommended frequency guidelines ) relative to:

- (a) Keeping outdoor cooking gas appliance area clear and free from combustible materials, gasoline and other flammable vapours and liquids.
- (b) Not obstructing the flow of combustion and ventilation air.
- (c) Keeping the ventilation opening(s) of the cylinder enclosure free and clear from debris.
- (d) Visually checking burner flames including pilot burner flame if provided, with pictorial representations.
- (e) Cleaning outdoor cooking gas appliance, including special surfaces, with recommended cleaning agents, if necessary.
- (f) Checking and cleaning burner/venture tubes for insects and insect nests. A clogged tube can lead to a fire beneath the grill.

## LIGHTING INSTRUCTIONS

---

### Before Lighting

Inspect the gas supply hose prior to turning on the gas. If there is evidence of cuts, wear, or abrasion, it must be replaced prior to use.

Screw the regulator (type QCC1) onto the cylinder, and leak check the hose and regulator connections before operating the grill.

Only the pressure regulator and hose assembly supplied with the unit should be used. Never substitute regulators. If a replacement is necessary, contact customer service for proper replacement.

### **WARNING**

Do not use the grill if the odour of gas is present. Contact customer service at 1-877-639-7264. 9a.m.-5p.m., PST, Monday-Friday. English, French, and Spanish representatives are available. Send email to: [nxrcs@duro-global.com](mailto:nxrcs@duro-global.com)

### TO LIGHT THE MAIN BURNERS

1. READ THE OPERATING INSTRUCTIONS BEFORE LIGHTING.
2. OPEN LID DURING LIGHTING AND MAKE SURE ALL KNOBS ARE IN THE OFF POSITION.
3. TURN ON THE CYLINDER VALVE. PUSH AND TURN BURNER KNOB SLOWLY TO “MAX” THEN RELEASE THE KNOB.
4. IF IGNITION DOES NOT OCCUR IN 5 SECONDS, TURN THE BURNER CONTROL(S) OFF, WAIT 5 MINUTES, AND REPEAT THE LIGHT PROCEDURE.

### TO LIGHT THE GRILL WITH MATCH

If a burner will not light after several attempts using the control knobs, the burners may be lit with a match.

### **WARNING**

When lighting, keep your face and hands as far away from the grill as possible.

### **CAUTION**

When using a match to light the grill make sure to use the attached lighting rod.

### **WARNING**

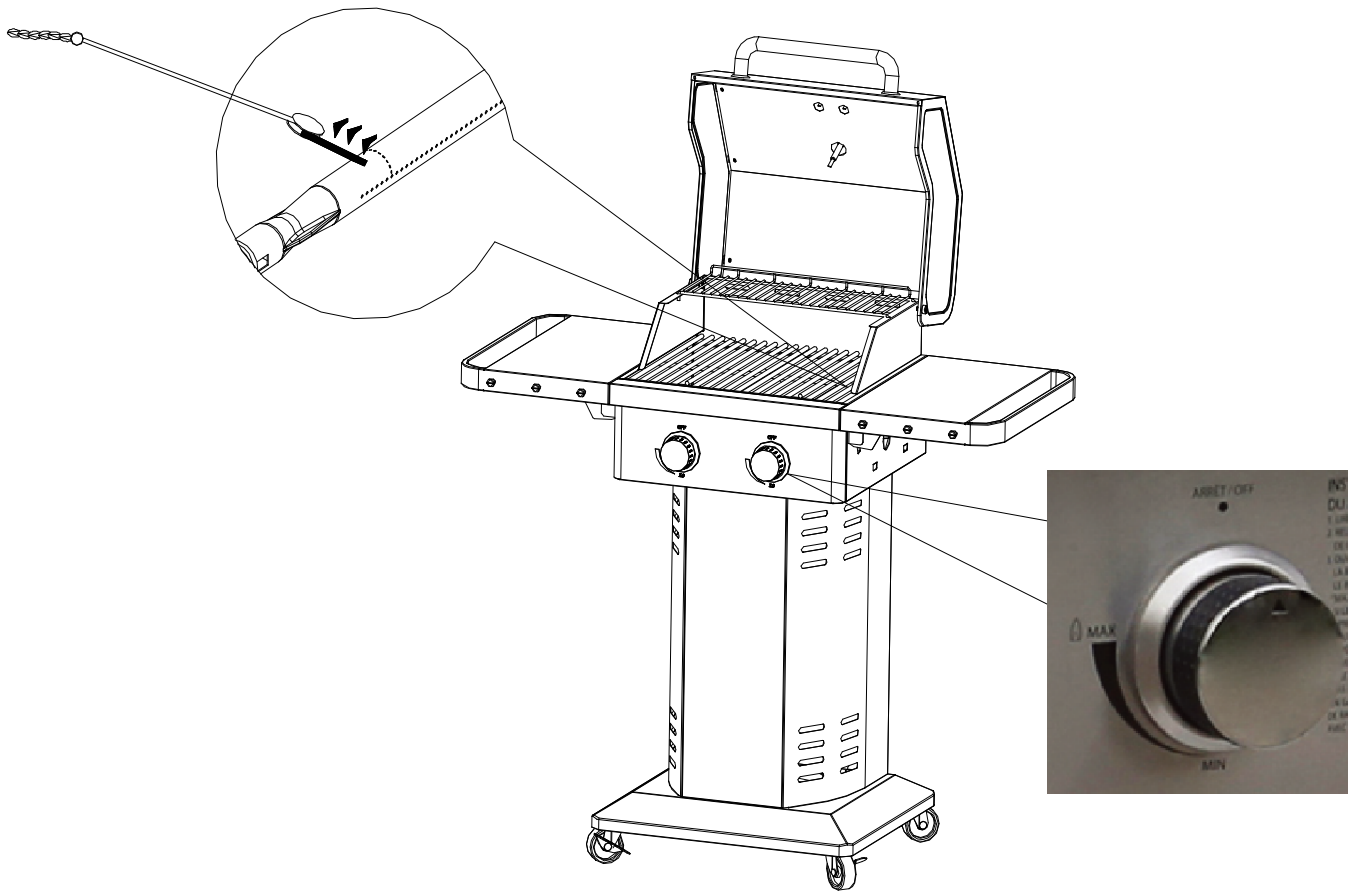
Before lighting, please check the connection with proper procedure if leak turn the gas off.

### **CAUTION**

Remove the warming rack when using a match to light the grill.

### Main burner and flame

1. If you have already attempted to light the main burner with the igniter, allow 5 minutes for any accumulated gas to dissipate.
2. Insert a match into the lighting rod.  
Ignite the match and insert through the cooking grids to the burner.
3. If the burner does not light within seconds turn the knob to the “OFF” position, wait 5 minutes and try again.



**! WARNING**

Do not store a spare LP-Gas cylinder under or near the appliance.

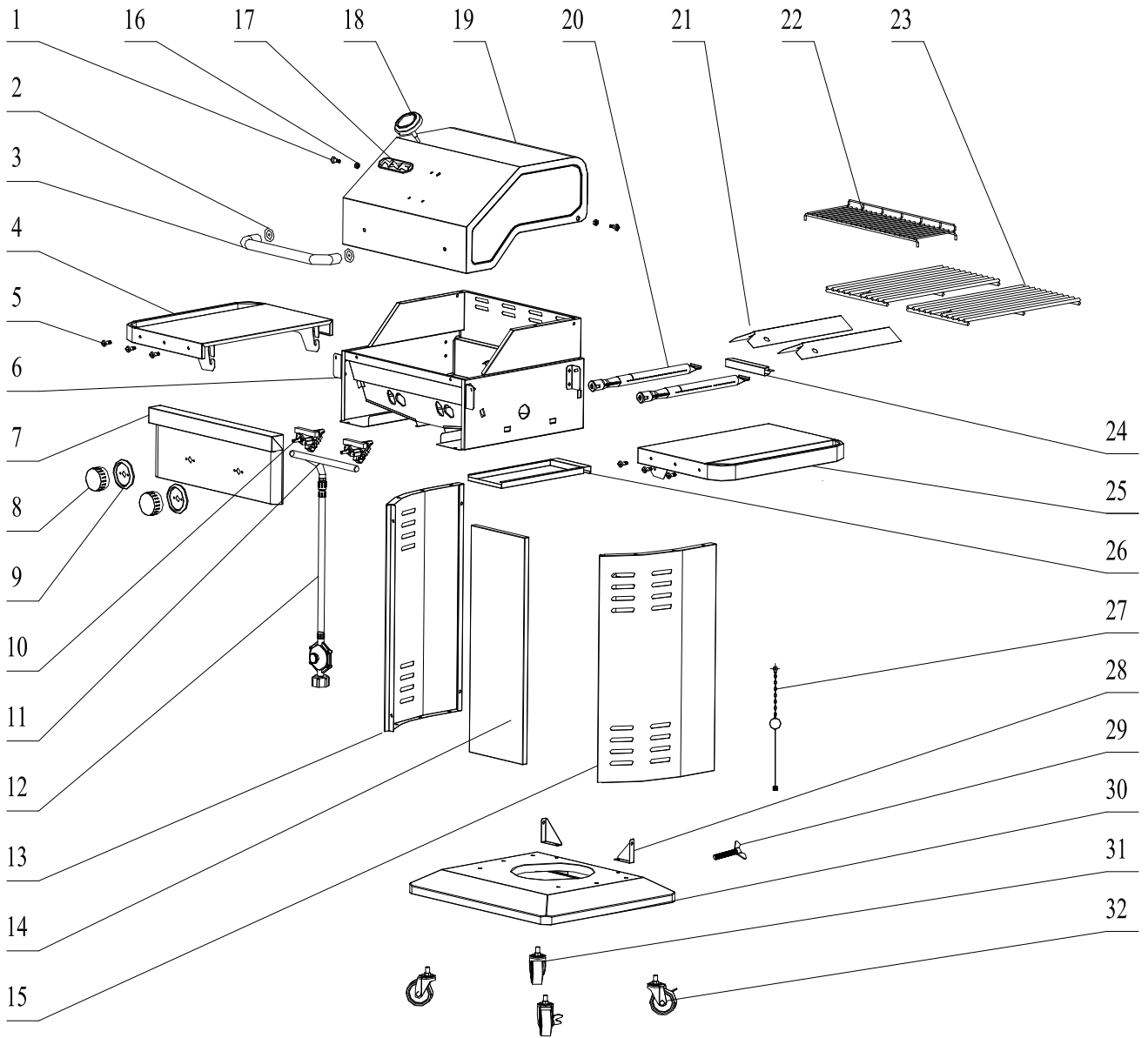
**! WARNING**

Never fill the cylinder beyond 80 percent full.

**! WARNING**

If the information in above warning is not followed exactly, a fire causing death or serious injury may occur.

# 780-0009 Exploded View



## 780-0009 Parts List

No.	Part(Description)	QTY	No.	Part(Description)	QTY
<b>01</b>	Lid Hinge Bolt	<b>2</b>	<b>18</b>	Temperature Gauge	<b>1</b>
<b>02</b>	Lid Handle Insulating Spacer	<b>2</b>	<b>19</b>	Lid	<b>1</b>
<b>03</b>	Main Lid Handle	<b>1</b>	<b>20</b>	Main Burner	<b>2</b>
<b>04</b>	Side Shelf, Left	<b>1</b>	<b>21</b>	Flame Tamer	<b>2</b>
<b>05</b>	Hinge Bolt	<b>6</b>	<b>22</b>	Warming Rack	<b>1</b>
<b>06</b>	Firebox	<b>1</b>	<b>23</b>	Cooking Grid	<b>2</b>
<b>07</b>	Control Panel	<b>1</b>	<b>24</b>	Cross Lighting	<b>1</b>
<b>08</b>	Control Knob	<b>2</b>	<b>25</b>	Side Shelf, Right	<b>1</b>
<b>09</b>	Bezel	<b>2</b>	<b>26</b>	Grease Box	<b>1</b>
<b>10</b>	Gas Valve	<b>2</b>	<b>27</b>	Lighting Rod	<b>1</b>
<b>11</b>	Manifold	<b>1</b>	<b>28</b>	Triangle Bracket, Left and Right	<b>2</b>
<b>12</b>	Regulator	<b>1</b>	<b>29</b>	Tank Support Bar	<b>1</b>
<b>13</b>	Closed Panel, Left	<b>1</b>	<b>30</b>	Bottom Panel	<b>1</b>
<b>14</b>	Front Panel	<b>1</b>	<b>31</b>	Swivel Caster with Brake	<b>2</b>
<b>15</b>	Closed Panel, Right	<b>1</b>	<b>32</b>	Swivel Wheel with Brake	<b>2</b>
<b>16</b>	Nut Cap	<b>2</b>		Grill Cover	<b>1</b>
<b>17</b>	Logo	<b>1</b>		Manual	<b>1</b>

## LIMITED WARRANTY

DURO warrants to the original consumer-purchaser only that this product (*Model #780-0009*) shall be free from defects in workmanship and materials after correct assembly and under normal and reasonable home use for the periods indicated below beginning on the date of purchase. The manufacturer reserves the right to require photographic evidence of damage, or that defective parts to be returned, postage and or freight Pre-paid by the consumer, for review and examination.

Stainless steel tube burners: 3 year warranty.

Other burners (Searing & rotisserie): 3 year warranty.

Flame tamers: 3 year LIMITED warranty; does not cover dropping, chipping, scratching, or surface damage.

Cooking grids: 3 Year LIMITED warranty; does not cover dropping, chipping, scratching, or surface damage.

Stainless steel parts: 2 Year LIMITED warranty against perforation; does not cover cosmetic issues like surface corrosion, scratches and rust.

All other parts: 2 Year LIMITED warranty (Includes, but not limited to, valves, frame, housing control panel, igniter, regulator, hoses); does not cover chipping, scratching, cracking surface corrosion, scratches or rust.

Upon consumer supplying proof of purchase as provided herein, Manufacturer will repair or replace the parts which are proven defective during the applicable warranty period. Parts required to complete such repair or replacement shall be free of charge to you except for shipping costs, as long as the purchaser is within the warranty period from the original date of purchase. The original consumer-purchaser will be responsible for all shipping charges of parts replaced under the terms of this limited warranty.

Manufacturer requires reasonable proof of your date of purchase. Therefore, you should retain your sales receipt and/or invoice. If the unit was received as a gift, please ask the gift-giver to send in the receipt on your behalf, to the below address. Defective or missing parts subject to this limited warranty will not be replaced without registration or proof of purchase. This limited warranty applies to the functionality of the product ONLY and does not cover cosmetic issues such as scratches, dents, corrosion or discoloring by heat, abrasive and chemical cleaners or any tools used in the assembly or installation of the appliance, surface rust, or the discoloration of stainless steel surfaces. Surface rust, corrosion, or powder paint chipping on metal parts that does not affect the structural integrity of the product is not considered a defect in workmanship or material and is not covered by this warranty. This limited warranty will not reimburse you for the cost of any inconvenience, food, personal injury or property damage. If an original replacement part is not available, a comparable replacement part will be sent. You will be responsible for all shipping charges of parts replaced under the terms of this limited warranty.

ITEMS MANUFACTURER WILL NOT PAY FOR:

- Service calls to your home.
- Repairs when your product is used for other than normal, single-family household or residential use.
- Damage resulting from accident, alteration, misuse, lack of maintenance/cleaning, abuse, fire, flood, acts of God, improper installation, and installation not in accordance with electrical or plumbing codes or use of products not approved by the manufacturer.
- Any food loss due to product failures.
- Pickup and delivery of your product.
- Postage fees or photo processing fees for photos sent in as documentation.
- Repairs to parts or systems resulting from unauthorized modifications made to the product.
- The removal and/or re-installation of your product.
- Shipping cost, standard or expedited, for warranty/non warranty and replacement parts.

DISCLAIMER OF IMPLIED WARRANTIES; LIMITATION OF REMEDIES

Repair or replacement of defective parts is your exclusive remedy under the terms of this limited warranty.

Manufacturer will not be responsible for any consequential or incidental damages arising from the breach of either this limited warranty or any applicable implied warranty, or for failure or damage resulting from acts of God, improper care and maintenance, grease fire, accident, alteration, replacement of parts by anyone other than Manufacturer, misuse, transportation, commercial use, abuse, hostile environments (inclement weather, acts of nature, animal tampering), improper installation or installation not in accordance with local codes or printed manufacturer instructions.

THIS LIMITED WARRANTY IS THE SOLE EXPRESS WARRANTY GIVEN BY THE MANUFACTURER. NO PRODUCT PERFORMANCE SPECIFICATION OR DESCRIPTION WHEREVER APPEARING IS WARRANTED BY MANUFACTURER EXCEPT TO THE EXTENT SET FORTH IN THIS LIMITED WARRANTY. ANY IMPLIED WARRANTY PROTECTION ARISING UNDER THE LAWS OF ANY STATE, INCLUDING IMPLIED WARRANTY OF MERCHANTABILITY OR FITNESS FOR A PARTICULAR PURPOSE OR USE, IS HEREBY LIMITED IN DURATION TO THE DURATION OF THIS LIMITED WARRANTY.

Neither dealers nor the retail establishment selling this product has any authority to make any additional warranties or to promise remedies in addition to or inconsistent with those stated above. Manufacturer's maximum liability, in any event, shall not exceed the documented purchase price of the product paid by the original consumer. This warranty only applies to units purchased from unauthorized retailer and or re-seller.

NOTE: Some states do not allow an exclusion or limitation of incidental or consequential damages, so some of the above limitations or exclusions may not apply to you; this limited warranty gives you specific legal rights as set for herein. You may also have other rights which

vary from state to state.

If you wish to obtain performance of any obligation under this limited warranty, you should write to:

DURO CORPORATION  
17018 Evergreen Place  
City of Industry, CA 91745

All consumer returns, parts orders, general questions, and troubleshooting assistance can be acquired by calling call our customer service department at 1-877-639-7264, 9 a.m.-5 p.m., PST, Monday-Friday (English/French/Spanish). Send email to: [nxracs@duro-global.com](mailto:nxracs@duro-global.com)

AUSTRALIA: Our goods come with guarantees that cannot be excluded under the Australian Consumer Law. You are entitled to a replacement or refund for a major failure and for compensation for any other reasonably foreseeable loss or damage. You are also entitled to have the goods repaired or replaced if the goods fail to be of acceptable quality and the failure does not amount to a major failure.